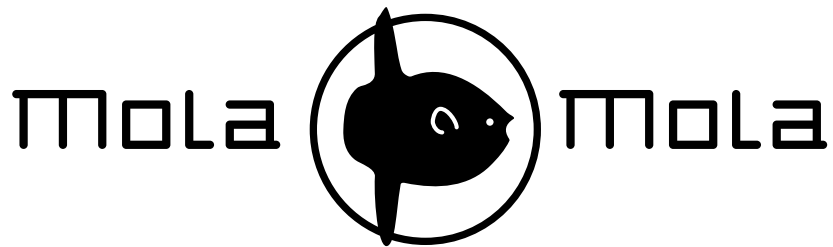


FOR IMMEDIATE RELEASE

31 July 2019, 3 pages

[Click for Images](#)



SDD LAUNCHES MOLA MOLA TAMBAQUI DAC IN THE UK

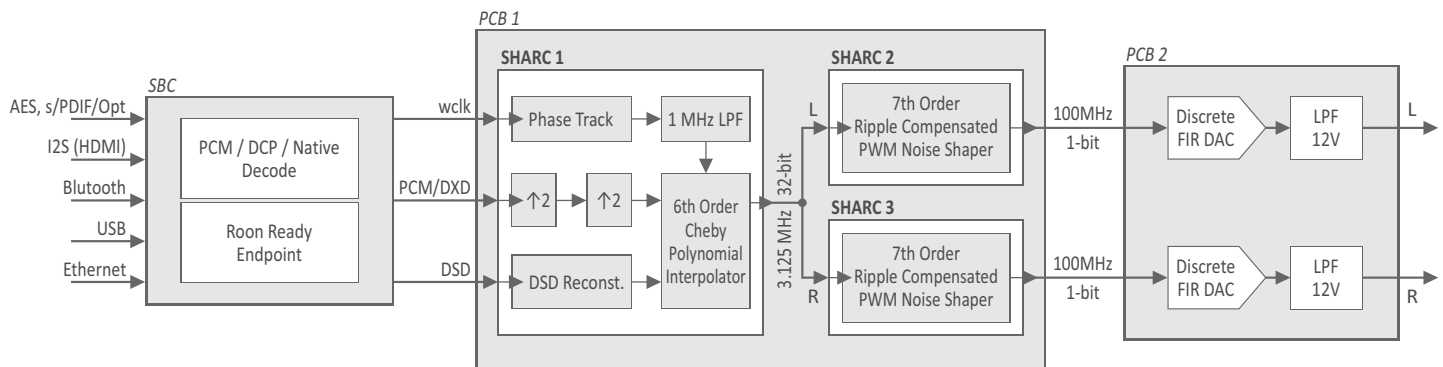
Sound Design Distribution is proud to announce the availability of Mola Mola's high-end Tambaqui DAC to UK audiophiles...



Esoteric audio separates maestro Mola Mola has made the discrete DAC section from its Makua preamplifier available as a separate unit. Dubbed the 'Tambaqui', it's the perfect upgrade for system owners wanting the very finest audio quality from their digital sources.

Press Contact: Keith Haddock, 07767 684562, keith@keithhaddock.com

The Tambaqui's converter comprises a two board stack. Via the first, incoming digital audio is upsampled to 3.125MHz/32 bits and converted to a noise shaped PWM signal which is fed to twin mono DACs on the second board. Their discrete 32- stage Finite-Impulse-Response (FIR) output stages combined with 4th order filtering I/V converters turn the PWM into analogue with a breath-taking 130dB SNR. Uniquely, distortion remains below the noise floor even for full scale signals.



In addition to its peerless system upgrade capabilities, the inclusion of a lossless digital volume control, Roon Ready functionality and headphone outputs allow the Tambaqui to perform as the control hub of a minimalist audio set-up for digital music lovers. Inputs include Optical (Toslink), S/PDIF, AES/EBU (XLR), USB type B, Ethernet (Roon Ready), Bluetooth (A2DP, APTX), I²S over HDMI. Outputs are balanced (XLR), balanced headphone (4-pin XLR), 6.3mm headphone jack and programmable trigger outputs (3.5mm jack). The Tambaqui supports PCM up to 384kHz/32 bits (>192kHz and >24 bits via USB and Roon only); DoP and Native DSD up to quad speed (USB and Roon only).

PERFORMANCE

- Full-Scale Output Level (XLR): 18dBu
- Full-Scale Output Level (headphone): 18dBu
- Signal to Noise Ratio: 130dB
- THD, IMD: not measurable (estimated -140dB)
- Bandwidth: up to 80kHz (apodizing response)
- Integrated jitter: <1ps from 10Hz upwards, <300fs from 1kHz upwards
- Jitter rejection: >80dB at 1Hz after 20 seconds of lock

CONTROL

- 4 programmable presets
- Remote control (premium)
- Mola Mola remote app

DIMENSIONS AND WEIGHT

200mm (W) x 110mm (H) x 320mm (D); 5.2kg



roon
ready

Mola Mola Tambaqui

UK retail price (inc VAT): £8,999

Availability: August 2019

**CONTACTS FOR PUBLICATION: Sound Design Distribution Ltd.
0800 009 6213, sales@sounddesigndistribution.co.uk**

Press Contact: Keith Haddock, 07767 684562, keith@keithhaddock.com